

Project Application

General Information

Municipality/Lead Agency: Village of Streamwood

1. **Contact Person:** Matt Mann, P.E.
2. **Contact Phone:** 630-736-3850
3. **Contact Email:** mmann@streamwood.org

Project Location: East Avenue (FAU 1684): Buttitta Drive to Schaumburg Road

Project Limits:

1. **First Reference Point/Street:** Buttitta Drive (FAU 1685)
2. **Second Reference Point/Street:** Schaumburg Road (FAU 1322)

Existing and Proposed Condition

Describe the existing condition:

East Avenue is an north-south collector under the jurisdiction and maintenance of the Village of Streamwood. The existing typical section of East Avenue is a 2 lane section with one-14 foot through lane and one-10 foot parking lane in each direction with combination concrete curb and gutter along both sides of the pavement. There is a 5' PCC sidewalk on both sides of the roadway. The entire corridor has street lighting. The ADT is 4,900. The existing pavement is in a deteriorating condition exhibiting secondary cracking, closely spaced transverse cracking, the first signs of raveling and spot failures. Meadows Park and Canton Middle School are in the corridor. East Avenue is classified as a Collector.

Describe the proposed improvements:

The proposed improvements include hot-mix asphalt surface removal, hot-mix asphalt resurfacing with binder and surface courses, combination concrete curb and gutter removal and replacement, sidewalk replacement, detectable warnings and pavement markings. There will be no changes to the roadway typical section. The improvements to this will match the improvements to the adjacent Buttitta Drive STP project being constructed in 2018.

Work types (see guide for specific work types): Highway Improvement: Resurfacing

Regional Transportation Significance

Roadway Designation: Collector

Roadway #2 (if intersection project) :

Safety *(If project does not address safety, leave this section blank)*

Vehicular Crashes for each of the last three years available:

- | | |
|---------------|--------------------|
| 1. Year: 2007 | Vehicular Crashes: |
| 2. Year: 2008 | Vehicular Crashes: |
| 3. Year: 2009 | Vehicular Crashes: |

Will this project address bicycle and/or pedestrian safety: Yes

Please list all the type K (fatality) and A (incapacitating) accidents from the previous five years:

Describe how the project will address safety and crash/accident history:

Click here to enter text. This project will remove and replace all non ADA compliant sidewalk and ramps throughout the corridor and replace with new detectable warnings. There are also areas of sidewalk that have settled and are now a tripping hazard. The entire corridor has sidewalk on both sides of the pavement that needs to be evaluated. In addition the pavement will be striped with new pavement markings to improve driver visibility. The completed improvement will enhance safety of both vehicles and pedestrians by eliminating potholes and by installing ADA ramps to current standards.

Scope of Project

Please enter the scope of work for the project: The rehabilitation of East Avenue will include hot-mix asphalt removal, hot-mix asphalt binder course, hot-mix asphalt surface course, base repair, pavement patching, spot curb and gutter removal and replacement, spot sidewalk removal and replacement, detectable warnings and pavement markings.

Complete Streets/Multimodal

Describe any transit or transit access improvements:

Pace Route 554 runs along Irving Park Road within the project. The nearest stops are at Irving Park Road and IL 59 and US 20 and Church Street. The Hanover Park Metra Station, St. Alexius Medical Center, and Woodfield Mall are destinations along the route.

Describe any pedestrian improvements:

The sidewalk will be evaluated to ensure they meet the Americans with Disabilities Act (ADA) policies. Any non-compliant items will be removed and replaced to eliminate trip hazards and installation of ADA accessible curb ramps and detectable warnings.

Describe any bicycle improvements:

N/A

Are the transit, pedestrian and/or bicycle improvements included within a local, regional or state plan?

Yes

Is the proposed route a local or regional truck route?

No

If yes, please list plans and include reference (Exhibit F):

Congestion Mitigation *(If project does not address congestion mitigation, leave this section blank)*

Does the project improve the level of service (LOS)? No

1. Pre-implementation LOS:
2. Post-implementation LOS:

Please attach LOS analysis as evidence of improvement (Exhibit E).

Intergovernmental Importance

Please list the financially contributing project sponsors and partner agencies: Village of Streamwood.
The project will abut and connect with the Buttitta Drive project scheduled to be constructed in 2018.

Project Readiness

Please choose the appropriate project status: Phase I Design Approval from IDOT

If Phase I Engineering has not been initiated with IDOT, please describe any planning or engineering work that the project sponsor has undertaken:

Project Cost Estimate

	Federal			Local			Total
	STP	Other (CMAQ, ITEP, etc)	Municipal	State	County		
Phase I Engineering (only for CMAQ/TAP projects)	\$0	\$0	\$2,500	\$0	\$0	\$2,500	
Phase II Engineering	\$0	\$0	\$25,000	\$0	\$0	\$25,000	
Right-Of-Way Acquisition	\$0	\$0	\$0	\$0	\$0	\$0	
Construction (includes Phase III Engineering)	560,000	\$0	\$140,000	\$0	\$0	\$700,000	

Project Schedule *(Fill in dates for applicable activities)*

Activity	Estimated Date
Initial Phase I Engineering Kick-off Meeting:	9/14/2016
Submit draft Phase I Engineering Report (PDR) to IDOT: (3-6 month review period)	N/A
Submit Final PDR: (BLR 19100 without report)	9/28/2016
Submit Draft Local Agency Agreement (BLR 5310) for Phase II Engineering:	N/A
Phase I Engineering Design Approval:	9/29/2016
Execute Local Agency Agreement (BLR 5310) for Phase II Engineering:	N/A
Submit of Pre-Final Plans w/ Estimates to IDOT: (1-4 month review period)	1/19/2018
Submit Draft Local Agency Agreement (BLR 5310) for Construction and Phase III Engineering Agreement:	3/19/2018
Execute Local Agency Agreement (BLR 5310) for Construction and Phase III Engineering Agreement:	4/25/2018
Submit Final Plans, Spec. & Estimates (PS&E):	3/19/2018
Right-of-Way Certification:	N/A
Target Letting:	6/15/2018

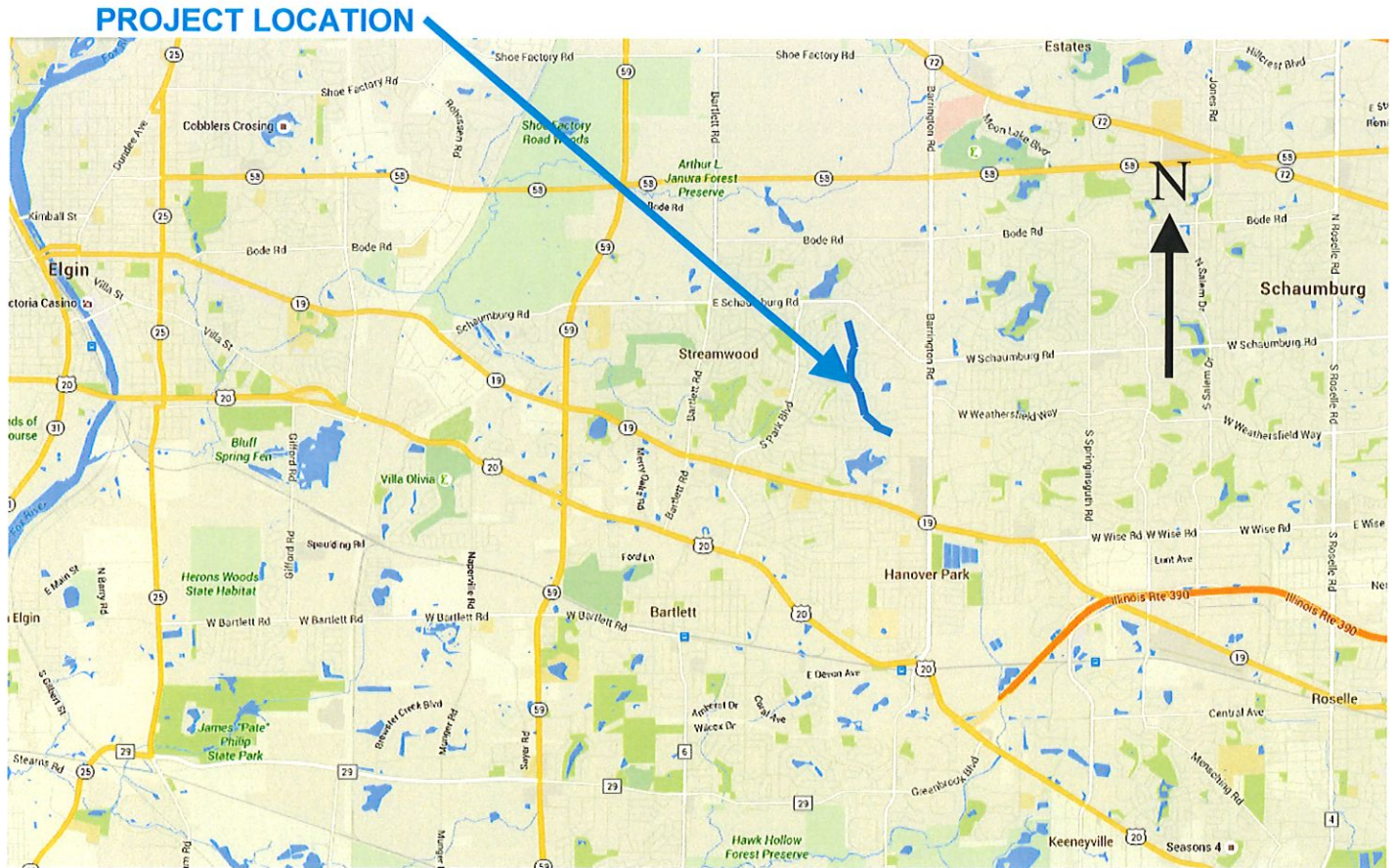
Exhibits

Please submit the required exhibits with this application:

- A. Map showing location of project within the region
- B. Map showing location of project within municipality
- C. Existing typical section
- D. Proposed typical section
- E. ~~Evidence of level of service (LOS) improvement, if applicable~~ Not Applicable
- F. ~~Local, regional or state plans that include project (you can include reference or expert from plans)~~ Not Applicable

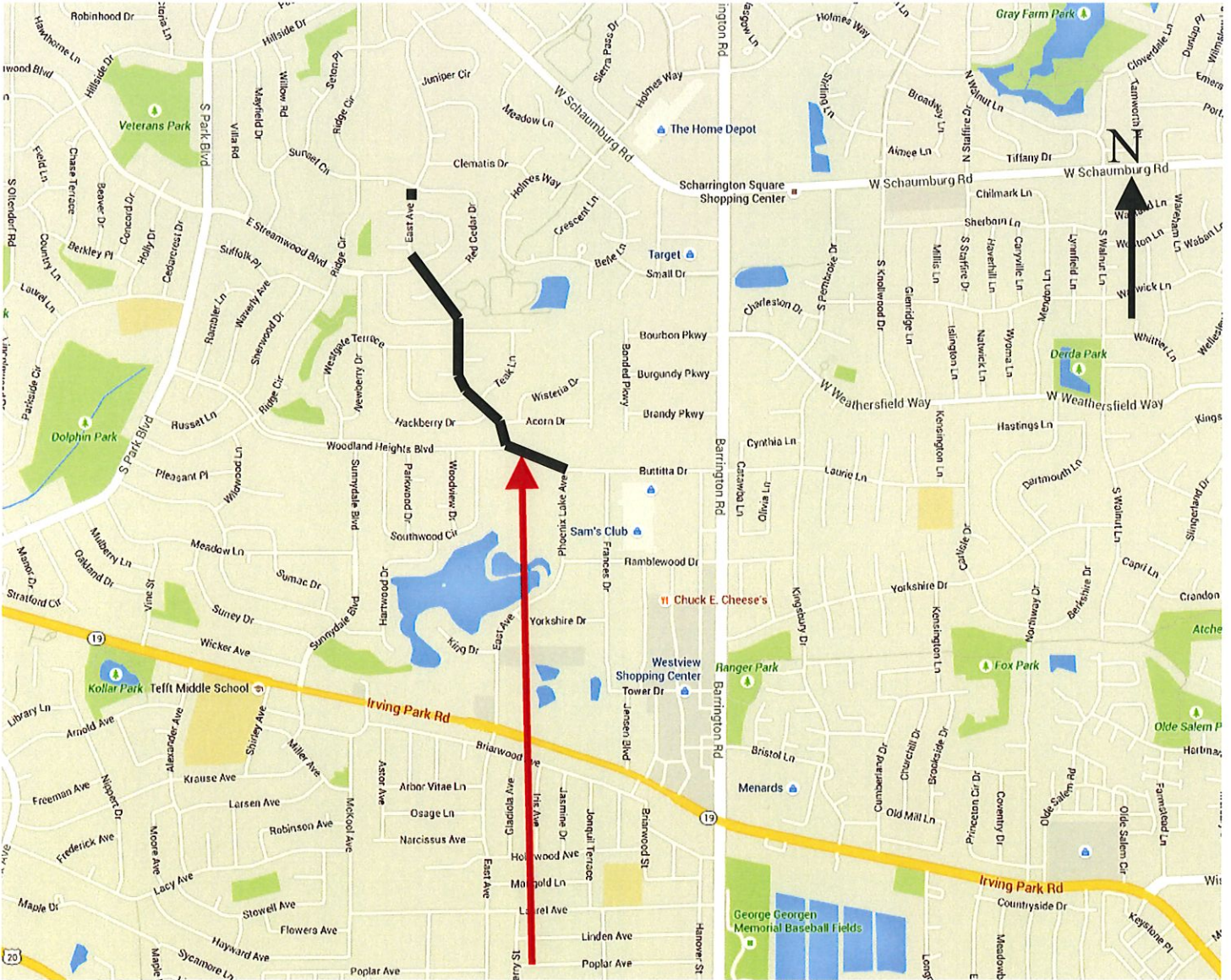
REGIONAL LOCATION MAP VILLAGE OF STREAMWOOD

EAST AVENUE: BUTTITTA DRIVE TO SUNSET CIRCLE

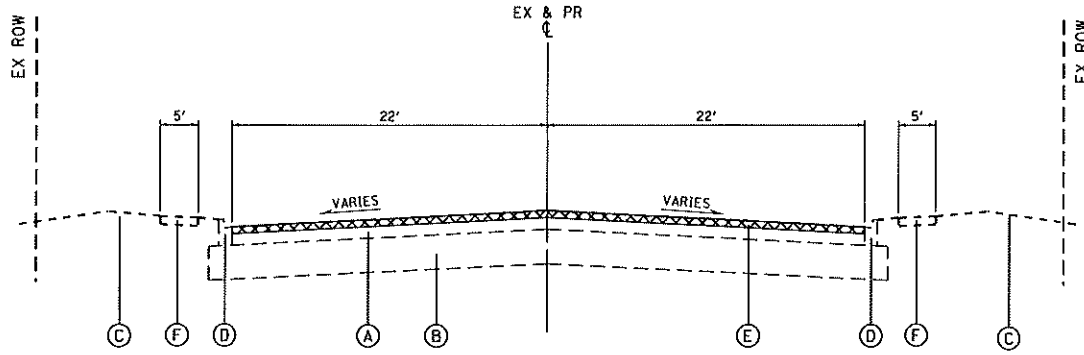


LOCATION MAP VILLAGE OF STREAMWOOD

EAST AVENUE (BUTTITTA DRIVE TO SUNSET CIRCLE)

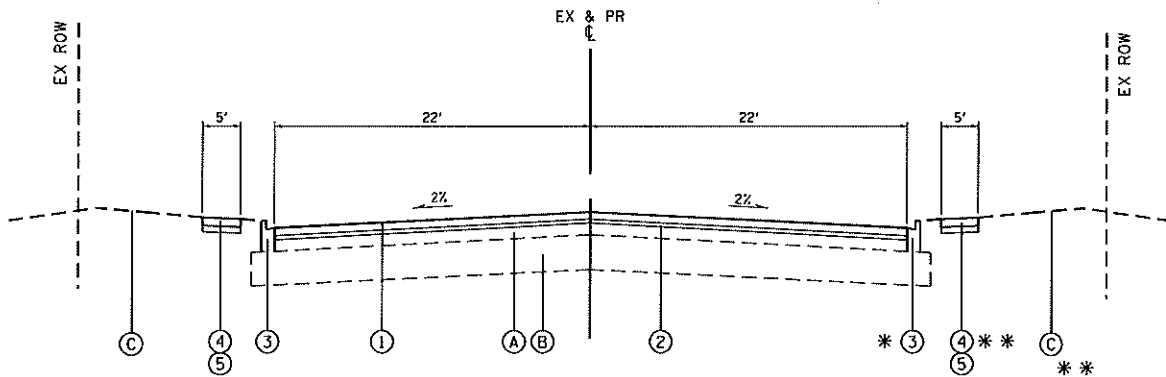


PROJECT LOCATION



EXISTING TYPICAL SECTION

EAST AVENUE
 FROM BUTTITTA DRIVE
 TO SUNSET CIRCLE



PROPOSED TYPICAL SECTION

EAST AVENUE
 FROM BUTTITTA DRIVE
 TO SUNSET CIRCLE

EXISTING LEGEND

- (A) EXISTING HOT-MIX ASPHALT PAVEMENT; ±6"
- (B) EXISTING AGGREGATE BASE COURSE; ±12"
- (C) EXISTING GROUND
- (D) EXISTING COMBINATION CURB AND GUTTER
- (E) HOT-MIX ASPHALT SURFACE REMOVAL; 4"
- (F) EXISTING PCC SIDEWALK
- (G) EXISTING GRASS MEDIAN

PROPOSED LEGEND

- (1) HOT-MIX ASPHALT SURFACE COURSE; 2"
- (2) POLYMERIZED LEVELING BINDER; 3/4"
- (3) COMBINATION CONCRETE CURB AND GUTTER, TYPE B-6.12
- (4) PORTLAND CEMENT CONCRETE SIDEWALK 5 INCH
- (5) SUBBASE GRANULAR MATERIAL, TYPE B 6"
- * CURB AND GUTTER REMOVE & REPLACE AS NEEDED
- ** SIDEWALK REMOVE & REPLACE AS NEEDED

REVISIONS		
#	DATE	BY
1.		
2.		
3.		
4.		
5.		
6.		
7.		
8.		
9.		
10.		



HRGreen.com
 Illinois Professional Design Firm
 # 184-001322

**VILLAGE OF
 STREAMWOOD**

DATE:
 9/1/2015
 HORIZ. SCALE:
 N.T.S.